



## STERILITY TEST ISOLATORS



Mach-Aire's IST Sterility Test Isolators are available in standard layouts or as a specially designed bespoke ergonomic design to be both user friendly and efficiently functional. They are designed to provide full product protection.

EU Grade 'A' positive pressure unidirectional airflow, will protect the entire working area both 'at rest' and in operation and they can be easily integrated with a variety of vapourised hydrogen peroxide systems.

Product contact surface are from 316L stainless steel, external parts in coated steel.

Transfer hatches with sliding tray mechanisms are fully interlocked with the main chamber, and operate at a lower differential pressure to the working chamber ensuring no contamination enters the main chamber. Continuous particle monitoring and active air sampling systems are commonly required, and Millipore Steritest and Sartorius equipment can easily be integrated, as can a variety of optional features.

Options:

- Continuous particle monitoring
- Active air sampling.
- Millipore Equinox pumps or Sartorius
- Bag-out waste ports.
- RTP Ports
- 230v sockets
- Fully automated pressure decay systems through the transfer hatch lids
- Electrically operated vari-height support stand allows the users to adjust the isolator working height.
- Glove leak test kits allow testing of the glove/cuff/sleeve assembly on a routine basis.

### FEATURES

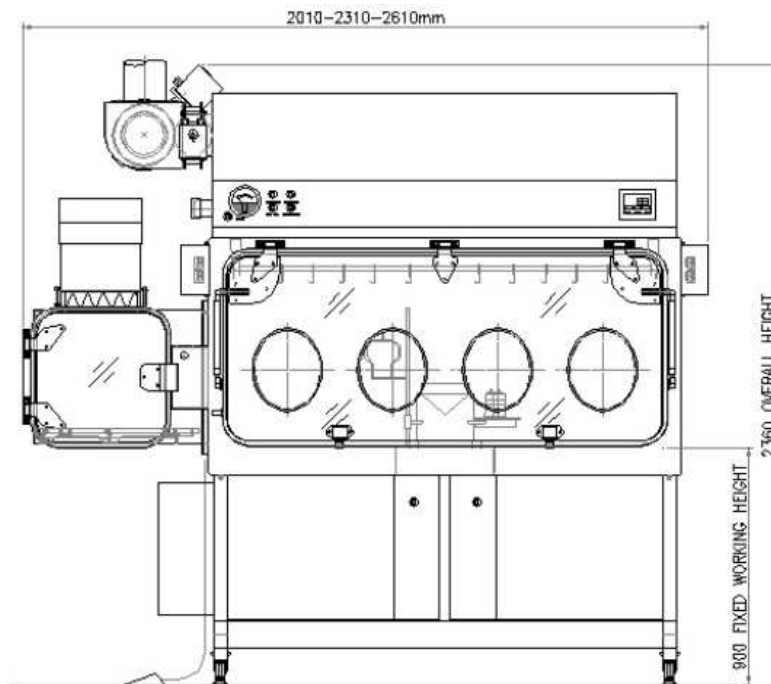
- Type 1 Isolator
- Product protection
- Operator protection
- Sterility testing
- Laminar downflow in chamber
- Ergonomic design
- Independent disinfection of hatch and chamber
- Hydrogen peroxide disinfection

### APPLICATIONS

- Sterility Test Laboratory
- Pharmaceutical Production
- Quality Control

TECHNICAL DATA			
<b>MODEL</b>	IST-130	IST-150	IST-180
<b>External Dimensions (mm)</b>	2110x2360x1150	2310x2360x1150	2610x2360x1150
<b>Internal Dimensions (mm)</b>	1175* <sup>x</sup> 800x575*	1375* <sup>x</sup> 800x575*	1675* <sup>x</sup> 800x575*
<b>Glove Port Dimensions (mm)</b>	300x250	300x250	300x250
<b>Transfer Hatch Classification</b>	Type D	Type D	Type D
<b>Transfer Hatch Outer Opening (mm) (HxL)</b>	500 x 500 (440H to Tray)	500 x 500 (440H to Tray)	500 x 500 (440H to Tray)
<b>Transfer Hatch Inner Opening (mm)</b>	500 x 500 (440H to Tray)	500 x 500 (440H to Tray)	500 x 500 (440H to Tray)
<b>Filter Efficiency</b>	H14	H14	H14
<b>Noise Level (dBA)</b>	<65dBA	<65dBA	<65dBA
<b>Light Level (lux)</b>	>700 lux	>700 lux	>700 lux
<b>Electrical Supply Needed</b>	230, 1 ph, 50 HZ	230, 1 ph, 50 HZ	230, 1 ph, 50 HZ

\* Worktray usable area



## INNOVAIRTION®

Mach-Aire Limited  
Bridge Street  
Horwich  
Bolton BL6 7BT

Tel: +44 (0) 1204 668905  
Fax: +44 (0) 1204 668906  
e-mail: sales@machaire.co.uk  
[www.machaire.co.uk](http://www.machaire.co.uk)

Registered in Scotland 57500 VAT Registered 592 9715 90