

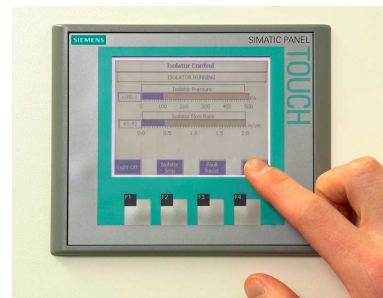


**MACH-AIRE**

## PHARMACY ISOLATORS



Mach-Aire's new range of ICT and IPP Pharmacy Dispensing Isolators has benefited from a thorough design review, and with the introduction of many new features, they can further meet the containment and aseptic needs of the pharmacist. They also continue to meet the requirements of the European Standard ISO 14644-7:2004, and follow the guidelines outlined in the publication "Pharmaceutical Isolators".



Applications include aseptic dispensing of cytotoxics, TPN products and other sterile infusions.

The range is available in either two glove or four glove formats and with negative pressure (ICT range) or positive pressure (IPP range) designs, and all operate at extremely low noise levels of <57dBA. Manufactured using a combination of polished stainless steel, white polyester coated zintec steel and polished clear acrylic, the user friendly ergonomic design is complemented with a Programmable Logic Controller (PLC) system, which gives excellent functionality.

### FEATURES

- Provides EU GMP Grade A within the chamber.
- Positive or Negative, re-circulating or externally ducted models available.
- Automated Pressure Decay system, Class 3.
- Transfer Hatches, Type E, electrically interlocked
- All models manufactured from 3mm thick grade 316 stainless steel.
- All models available in 2-glove and 4-glove formats.

The isolators supply a unidirectional downflow of HEPA quality air over the working area, with the HEPA filter positioned in the top plenum, and the exhaust filter in the rear of the main chamber. The transfer hatches operate at a higher or lower pressure than the main chamber, depending on the configuration chosen.

This new range of isolators has been designed specifically for easy access through a single doorway into it's final location.

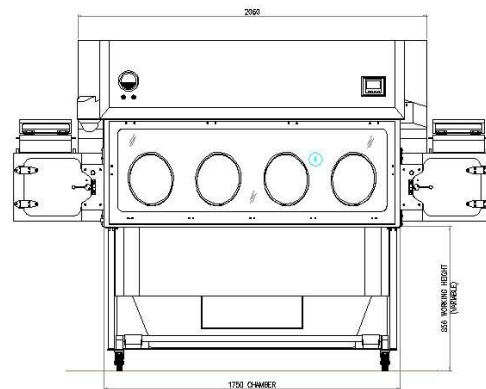
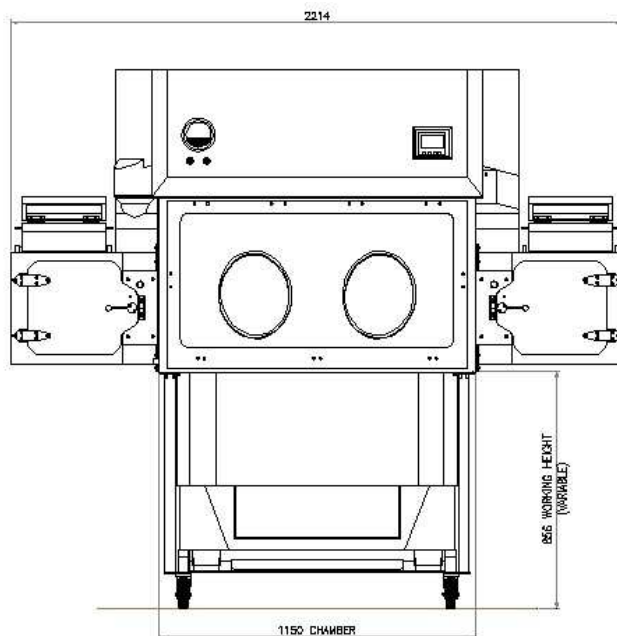
### APPLICATIONS

- Aseptic pharmacy dispensing

TECHNICAL DATA				
<b>MODEL</b>	ICT-120 Negative Pressure	ICT-180 Negative Pressure	IPP-120 Positive Pressure	IPP-180 Positive Pressure
<b>External Dimensions (mm)</b>	2220x1950x755	2820x1950x755	2220x1950x755	2820x1950x755
<b>Internal Dimensions (mm)</b>	1150x700x520*	1750x700x520*	1150x700x520*	1750x700x520*
<b>Glove Port Dimensions (mm)</b>	300x250	300x250	300x250	300x250
<b>Transfer Hatch Classification</b>	Type D	Type D	Type D	Type D
<b>Transfer Hatch Outer Opening (mm)</b>	300x300	300x300	300x300	300x300
<b>Transfer Hatch Inner Opening (mm)</b>	400x300	400x300	400x300	400x300
<b>Filter Efficiency</b>	H14	H14	H14	H14
<b>Noise Level (dBA)</b>	52dBA	54dBA	52dBA	54dBA
<b>Light Level (lux)</b>	700 lux	800 lux	700 lux	800 lux
<b>Electrical Supply Needed</b>	230, single phase, 50 HZ	230, single phase, 50 HZ	230, single phase, 50 HZ	230, single phase, 50 HZ

## OPTIONAL FEATURES

- **Vari-Height support stand:** electronically operated, it allows the users to adjust the working level of the isolator to the most comfortable position.
- **Glove leak test kit:** designed to carry out testing of the glove/cuff/sleeve assembly on a routine (daily) basis.
- **Hanging rail with 4 off 'S' shaped hooks:** manufactured from polished 316L grade stainless steel, and fitted to the top of the working chamber, beneath the HEPA filter.
- **Sliding tray for transfer hatch:** manufactured from polished 304L grade stainless steel, and fitted with stainless steel runners.
- **CCTV:** a new generation camera can be fitted allowing the operator to tilt, pan and zoom the camera. The camera works with a controller to operate, along with a monitor, and an HDD/DVD recorder if required
- **Exhaust system:** extract ductwork and a remote fan to the designated discharge point can be supplied if required.



## INNOVAIRTION®

Mach-Aire Limited  
 Bridge Street  
 Horwich  
 Bolton BL6 7BT

Tel: +44 (0) 1204 668905  
 Fax: +44 (0) 1204 668906  
 e-mail: sales@machaire.co.uk  
[www.machaire.co.uk](http://www.machaire.co.uk)

Registered in Scotland 57500 VAT Registered 592 9715 90

