



MACH-AIRE

ADVANTAGE CLASS 2



High quality Class 2 Microbiological Safety Cabinet for best operator comfort and protection

Exceptional Safety

Smooth components are used throughout the cabinet, virtually eliminating risk of injury during routine cleaning, servicing, and maintenance procedures.

Effective Cleaning

Reduced risk of sample cross contamination, patent pending window design easily lowers to thoroughly clean window sash interior.

Easy-to-Access Control Panel & Performance Data

The large microprocessor control panel displays valuable safety and performance data, and is always within easy reach from a seated position. The intuitive interface delivers a constant read-out of down flow and inflow velocities and filter usage status. The exclusive performance factor monitoring system clearly displays when service of the cabinet is necessary.

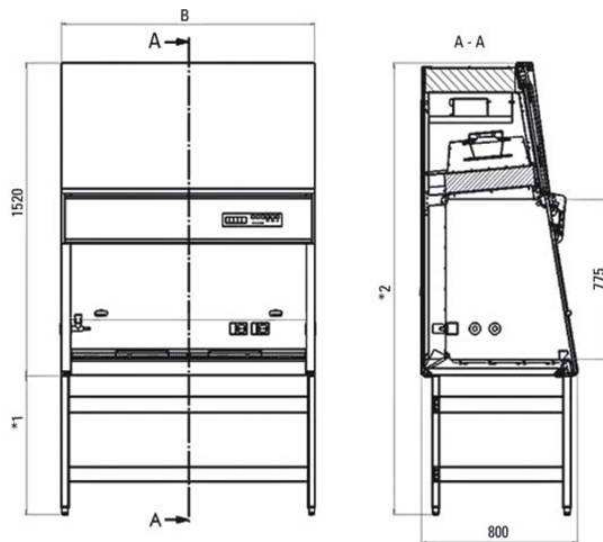


FEATURES

- Whisper quiet operation
- Easy to read controls
- Ergonomically angled cabinet front
- Spacious work area
- Flexible divided work-tray
- Effective cleaning
- Easy servicing
- Exceptional safety
- Energy efficient
- Fulfils requirements for Class 2 Safety Cabinets according to EN12469:2000, BS 5726, DIN 12950

TECHNICAL SPECIFICATION

Model		Advantage MSC-090	Advantage MSC-120	Advantage MSC-150	Advantage MSC-180
Dimensions					
Exterior Dimensions (WxHxD)	mm	1000x1522x798	1300x1522x798	1600x1522x798	1900x1522x798
Interior Dimensions (WxHxD)	mm	900x780x630	1200x780x630	1500x780x630	1800x780x925
Shipping Dimensions (WxHxD)	mm	1110x1730x925	1410x1730x925	1710x1730x925	2010x1730x925
Working Height of Front Window	mm	200			
Maximum Opening Height of Front Window	mm	535			
Weight					
Net Weight	kg	170	200	230	280
Shipping Weight	kg	190	225	265	315
Max load capacity of single segmented work surface per 30cm segments	kg	25			
Electrical Data					
Voltage	V	230			
Frequency	Hz	50/60			
Protection Class		I/IP 20			
Filter Specification		H14 HEPA EN 1822, 99.995% MPPS			
Certifications to EN 2469		TÜV, LNE	TÜV, LNE	TÜV	TÜV
Ergonomics and Utilities					
Lighting Power	lx	>800	>850	>1250	>1300
Receptacles		2 sockets on right rear wall		2 sockets on right and left rear wall	
Service Valves		Up to 4 may be installed through access ports (2 each side)			
Other Specifications					
Noise Level	dB (A)	<55	<55	<59	<59



INNOVAIRTION®

Mach-Aire Limited
 Bridge Street
 Horwich
 Bolton BL6 7BT
 Tel: +44 (0) 1204 668905
 Fax: +44 (0) 1204 668906
 e-mail: sales@machaire.co.uk
www.machaire.co.uk

Registered in Scotland 57500 VAT Registered 592 9715 90

